

TED (10)–1017

(REVISION—2010)

Reg. No.

Signature

SECOND SEMESTER DIPLOMA EXAMINATION IN ENGINEERING/
TECHNOLOGY—OCTOBER, 2013

(ENGINEERING GRAPHICS)

(Common—except DCP and CABM)

[Time : 3 hours

(Maximum marks : 100)

[Note : Sketches on 2-4 pages]

Marks

PART—A

I Answer *all* questions in one or two sentences. Each question carries 2 marks.

1. Write the sizes of drawing sheets as per BIS.
2. Draw the projection of a point C placed in such a way that it touches both HP and VP.
3. Define the term orthographic projection in Engineering Drawing.
4. What are the types of sectional views used in Engineering Drawing ?
5. What do you mean by development of surfaces ?

(5×2=10)

PART—B

(Answer *any five* questions. Each question carries 10 marks)

- II A template dimensioned wrongly is shown in figure 1: Dimension it correctly as per BIS.
- III Construct a conic when the distance between its focus and directrix is equal to 50mm and its eccentricity is one. Name the curve.
- IV The length of elevation of line AB, which is parallel to HP and inclined 45° to VP is 45mm. The end A is 15mm in front of VP and 25mm above HP. Draw the projections and find the true length of line AB.
- V Isometric view of a lever is shown in figure 2. Draw its full sectional elevation and plan.
- VI Draw the front view, top view and front auxiliary view of the C-block shown in figure 3. The arrow mark in the direction of F represents the front view.
- VII Draw the development of sheet metal tray shown in figure 4 and show the given dimensions on it.
- VIII The front and side views of V-block are shown in figure 5. Draw the cavalier oblique drawing.

(5×10=50)

PART—C

(Answer any two of the following questions. Each question carries 20 marks.)

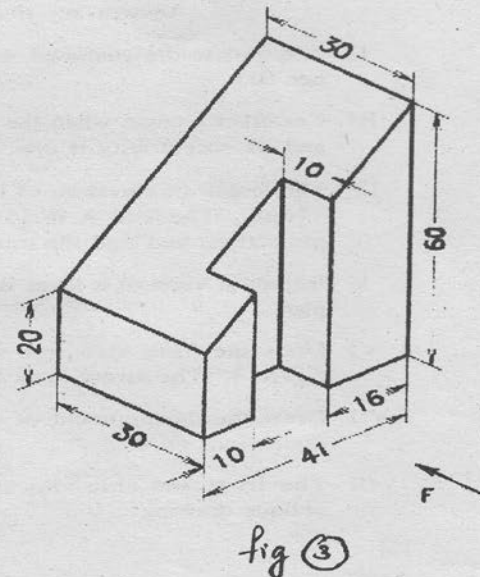
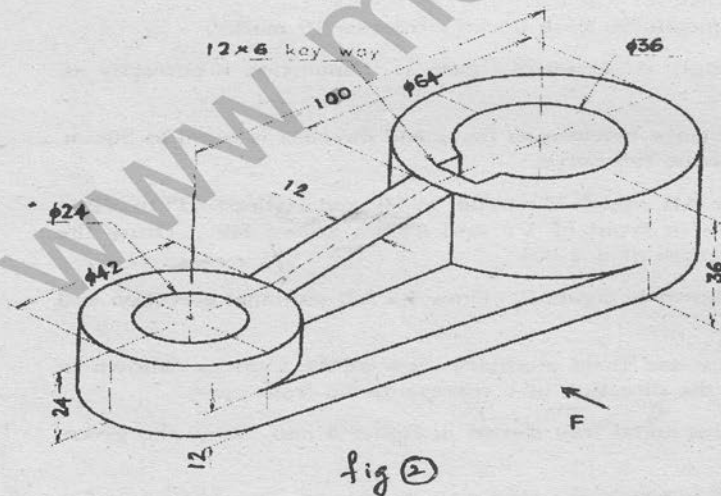
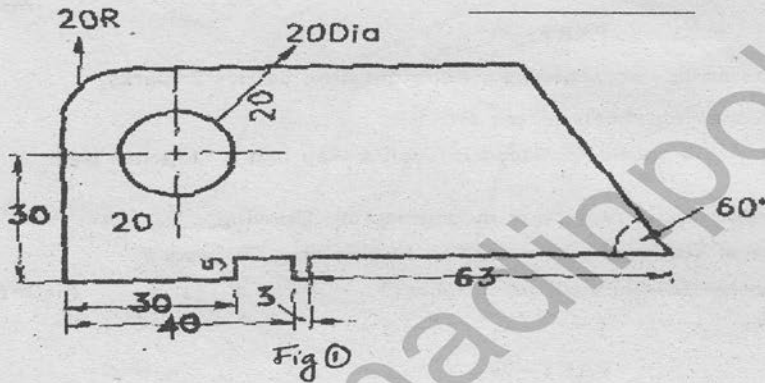
IX Isometric view of an engineering object is given in the figure 6. Draw its elevation, plan and right side view and dimension it as per BIS.

X The front view and top view of a block is given in figure 7. Draw its isometric view.

XI Figure 8 shows pictorial view of an object. Draw the following views :

- Sectional elevation (section through A-A)
- Sectional End View (section through B-B)
- Top view.

(2×20=40)



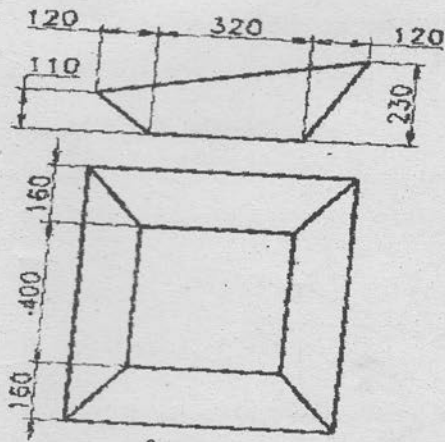


fig ④

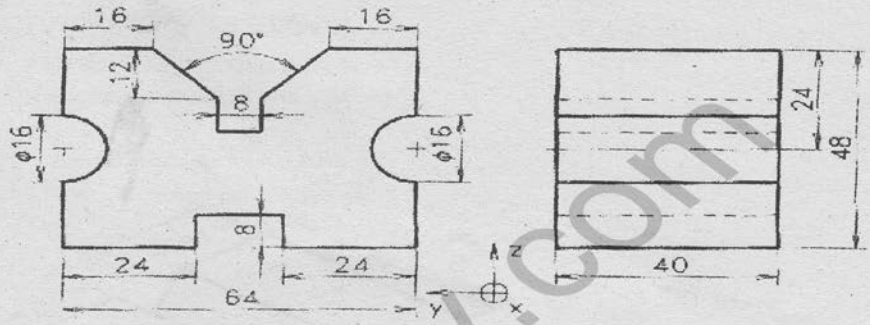


fig ⑤

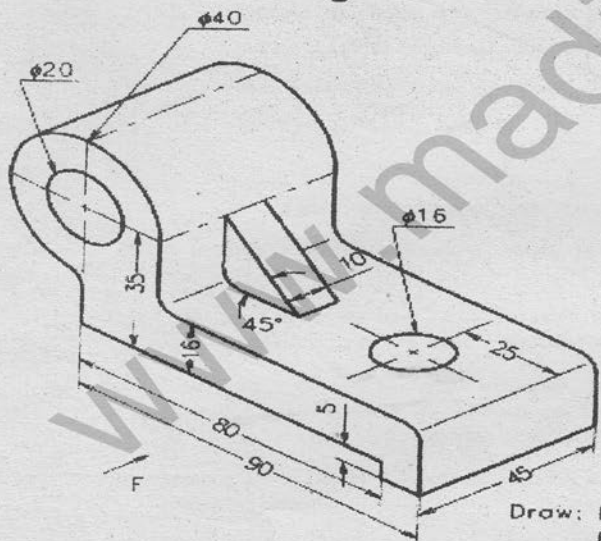


fig ⑥

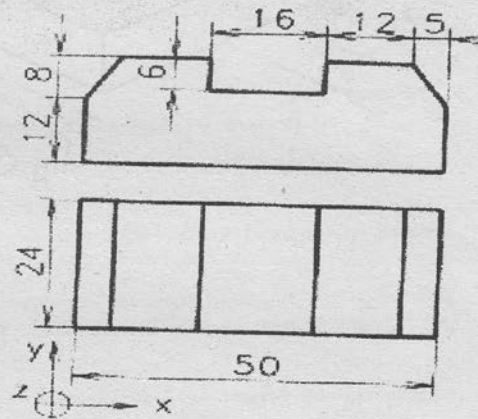


fig ⑦

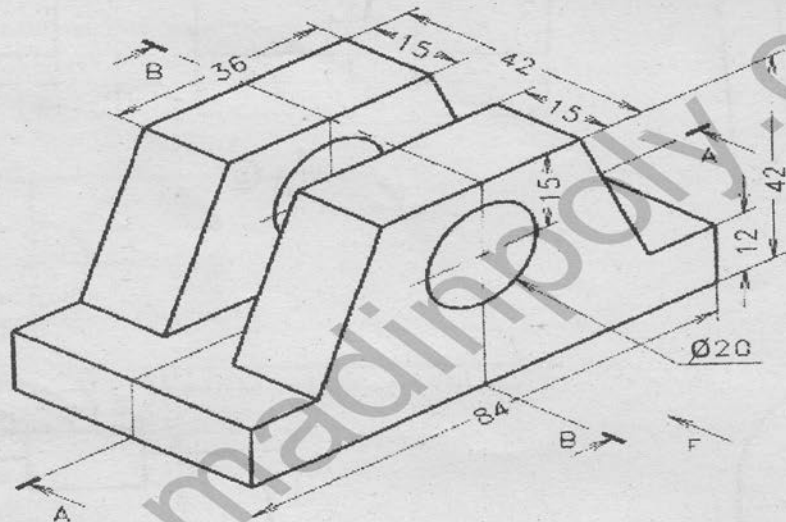


fig ③

www.madinbody.com