

REVISION 2010

SUB CODE: 3040

RegNo.....

Signature.....

THIRD SEMESTER DIPLOMA EXAMINATION IN ENGINEERING/TECHNOLOGY

Machine Drawing

(Common to ME, AU)

Time : 3 hours

Max Mark.100

Note: 1. All dimensions are in mm

- 2.First angle projection is to be followed
- 3.Missing data if any may be suitably assumed
- 4.Both sides of the drawing sheet may be used.

MODULE – 1

I) Draw any two views of a hexagonal bolt of size M30X60 with thread length 36mm.
15 Marks.

OR

II) Draw two views of single riveted lap joint for 18mm thick plates. Show at least three rivets in plan, indicate all dimensions in terms of the diameter of the rivet. Use snap head rivet.
15 Marks.

MODULE – 2

III) Draw the following orthographic views of Socket and Spigot joint shown in figure.1

(a) Top half sectional elevation (b) L.H.S view 30Marks

OR

IV) Details of a flexible bush type Coupling is shown in figure.2. Draw top half sectional elevation and L H S view.
30 Marks

MODULE -3

V) Draw full sectional elevation and top view of the Plummer Block shown in figure. 3
40 Marks

OR

VI) Draw the assembled drawing of an IC Engine Connecting rod bottom half sectional Elevation (figure.4)
40 Marks

MODULE -4

VII) Drawing the following elementary welding symbols.

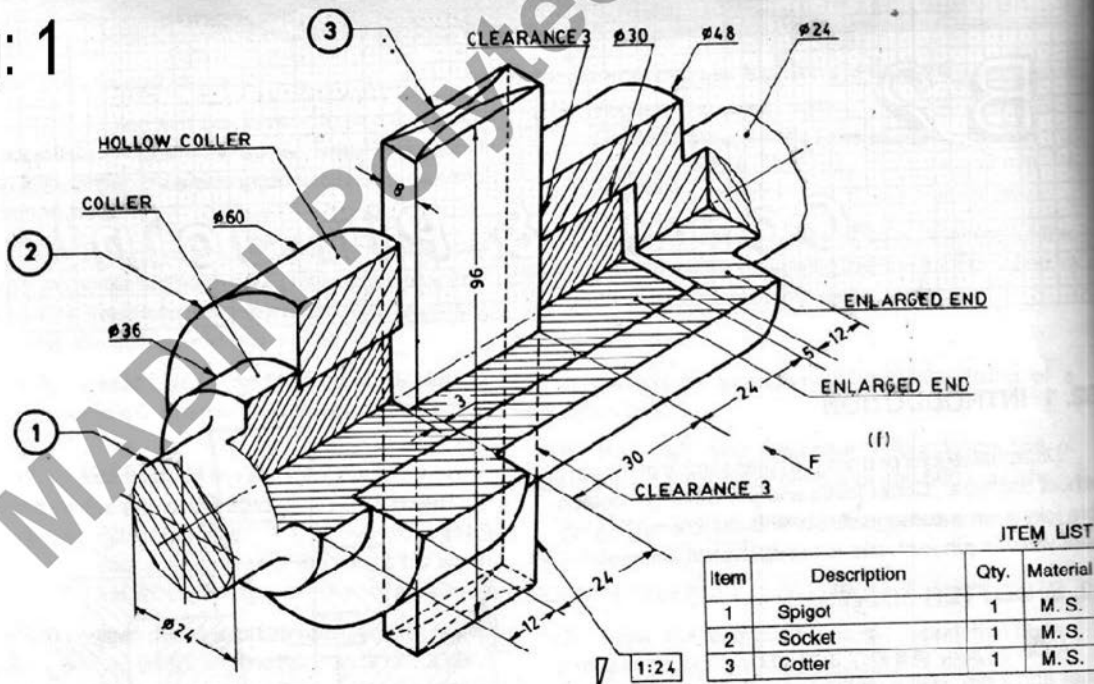
- | | |
|---------------------------|-----------------------|
| 1. Square butt weld | 2. Single V butt weld |
| 3. Single Bevel butt weld | 4. Single U butt weld |
| 5. Single J butt weld | |

5X3= 15Marks

OR

VIII) Scale Layout of a piping system is shown in figure.5. Prepare the diagrammatic layout of this drawing. All pipes , pipe fittings and valves are 32mm. 15 Marks

Fig: 1



ITEM LIST

Item	Description	Qty.	Material
1	Spigot	1	M. S.
2	Socket	1	M. S.
3	Cotter	1	M. S.

Fig: 2

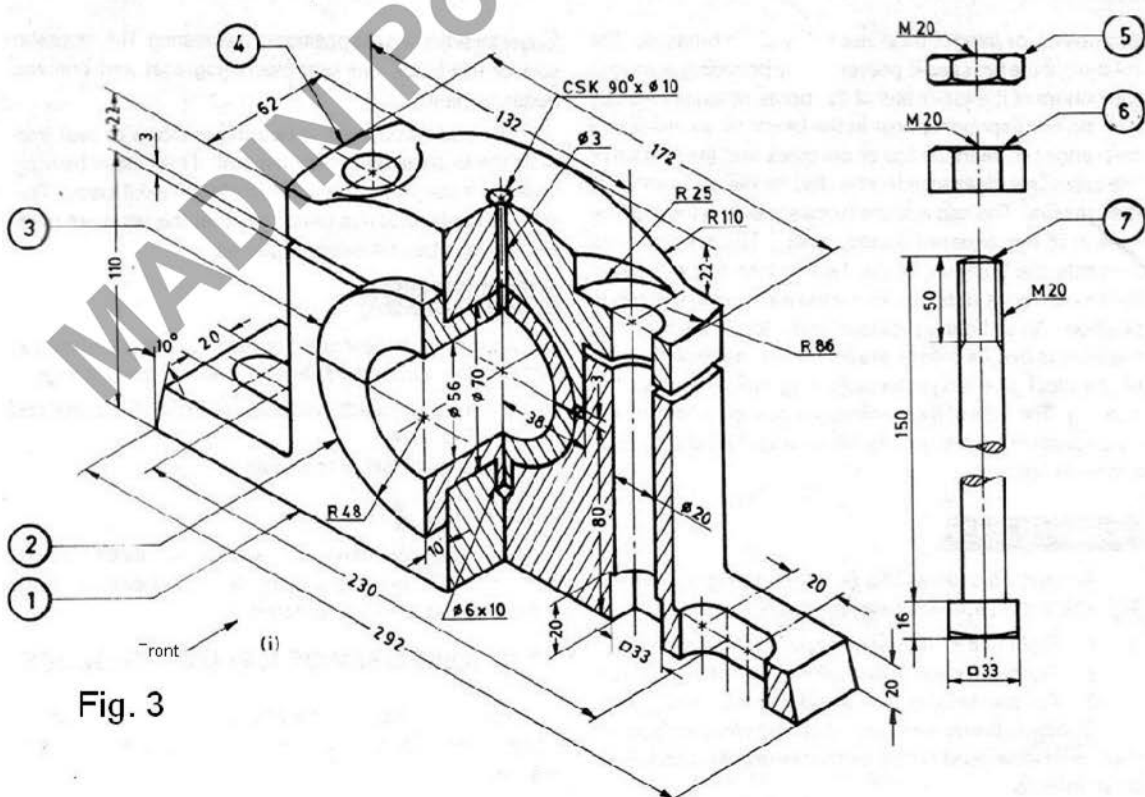
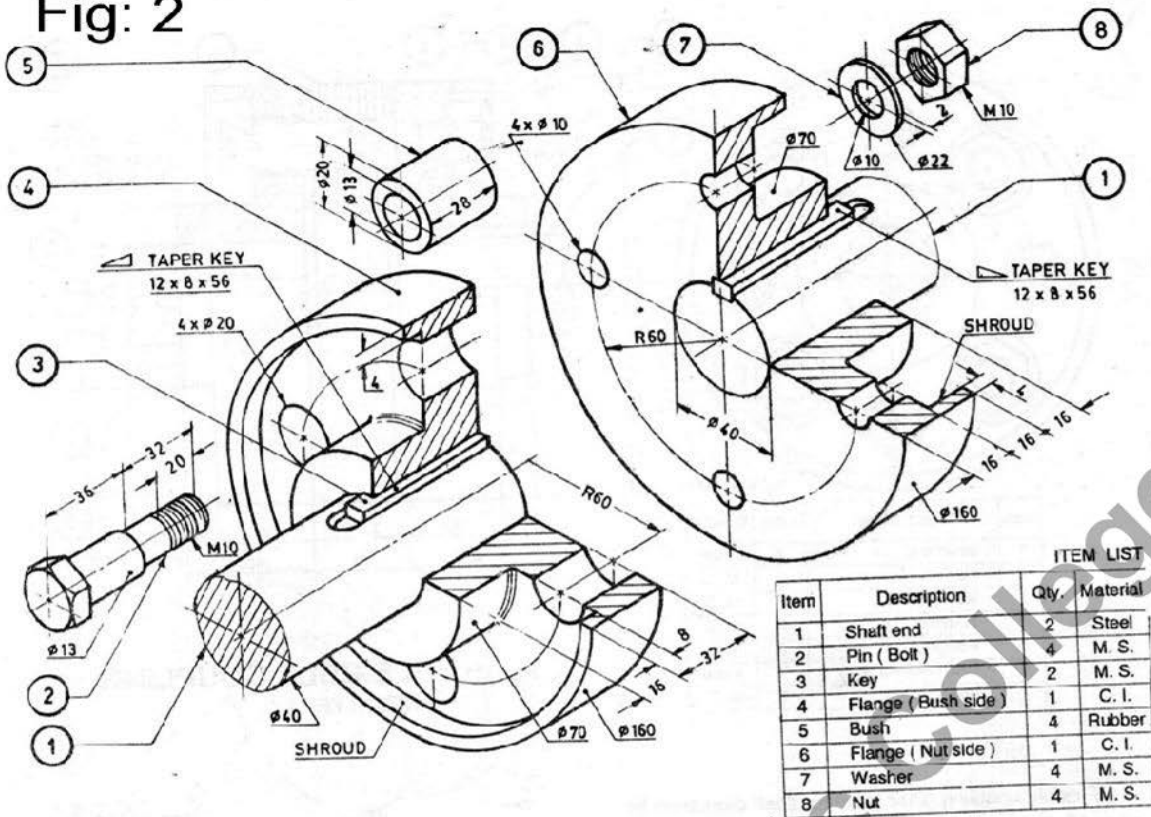


Fig. 3

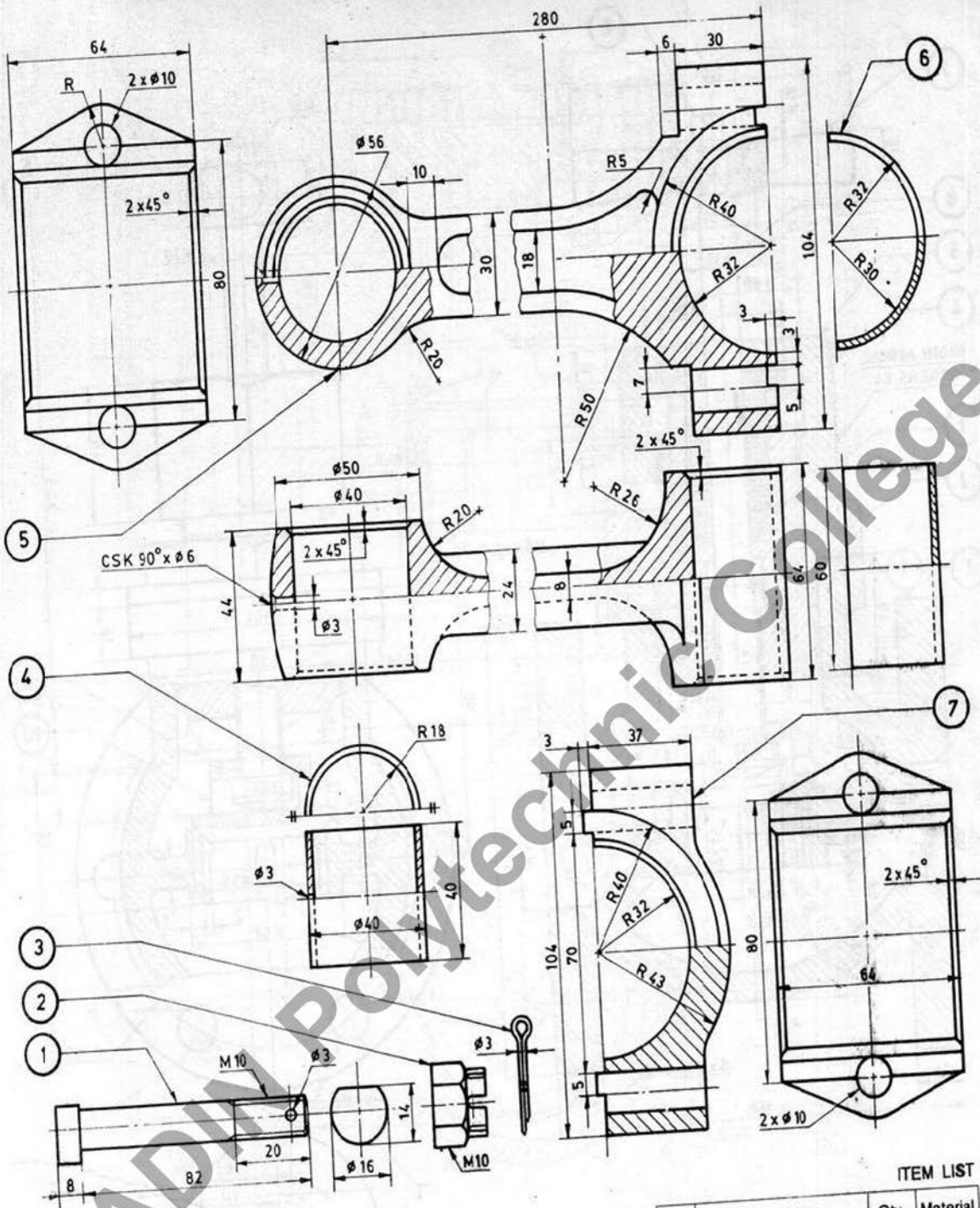
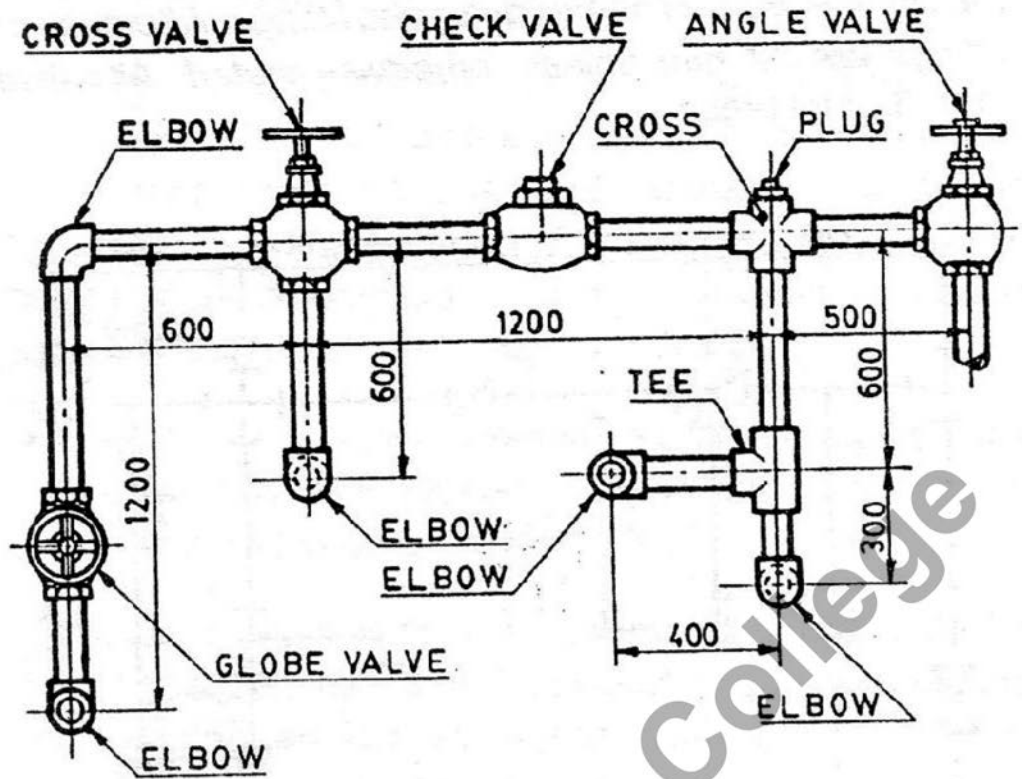


Fig.4

ITEM LIST

Item	Description	Qty.	Material
1	Bolt	2	M. S.
2	Lock nut	2	M. S.
3	Split pin	2	M. S.
4	Bush (Small end)	1	Bronze
5	Body	1	Steel
6	Bush (Big end)	2	Bronze
7	Cap	1	Steel

Fig.5



MADIN Polytechnic College