

**DIPLOMA EXAMINATION IN ENGINEERING/TECHNOLOGY/  
MANAGEMENT/COMMERCIAL PRACTICE — OCTOBER, 2017**

**QUANTITY SURVEYING – I**

[Time : 3 hours

(Maximum marks : 100)

- [Note:—1. Missing data may be suitably assumed.  
2. Quantities should be worked out in standard form.  
3. Sketch on 4<sup>th</sup> page.]

PART — A

(Maximum marks : 10)

Marks

I Answer *all* questions in one or two sentences. Each question carries 2 marks.

1. What is quantity surveying and who is quantity surveyor ?
2. State lump sum provision in estimate.
3. What is meant by work charged establishment ?
4. Discuss the term Tools and Plants (T and P).
5. State the methods of calculating quantity of earth work.

(5×2 = 10)

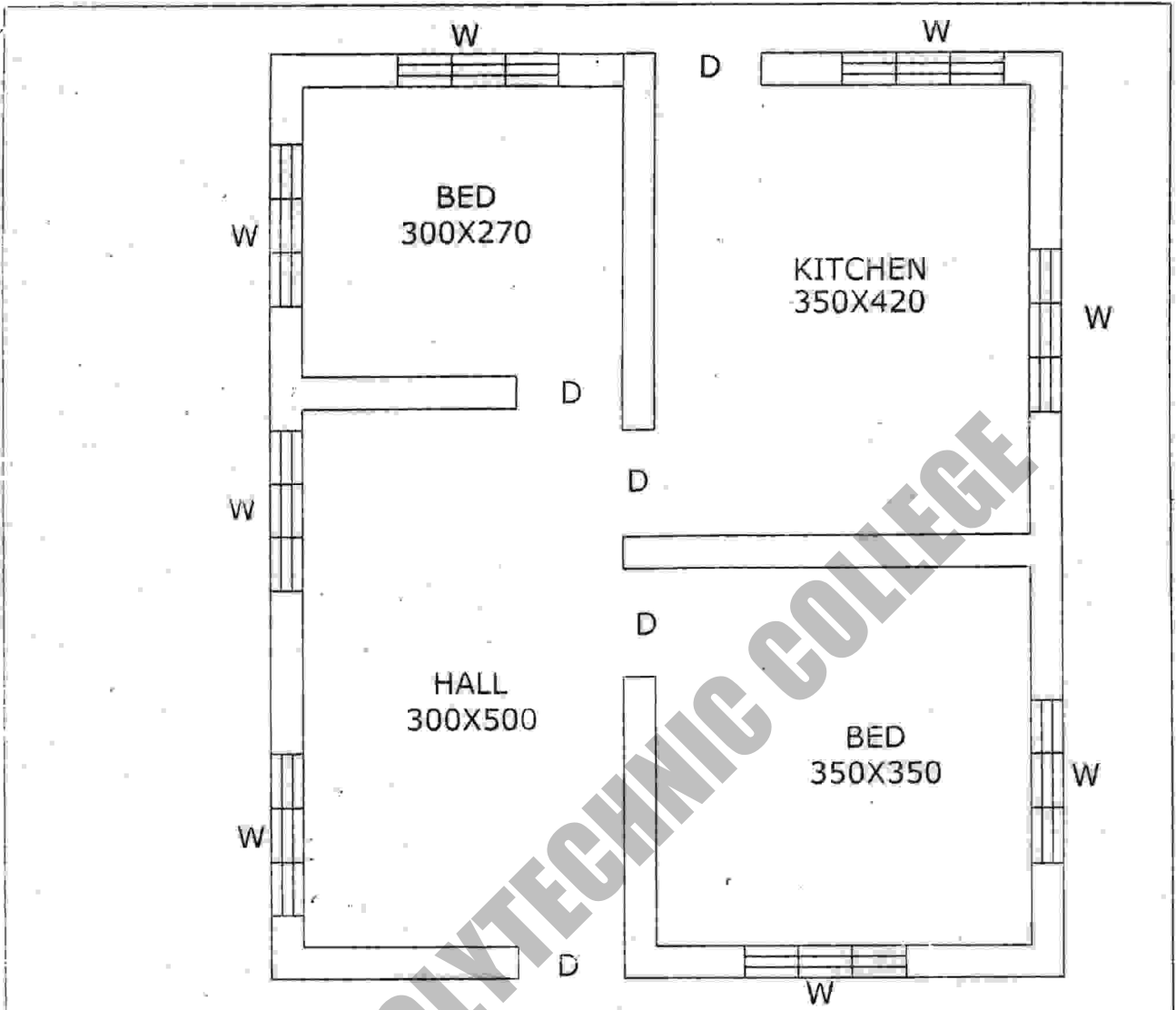
PART — B

(Maximum marks : 30)

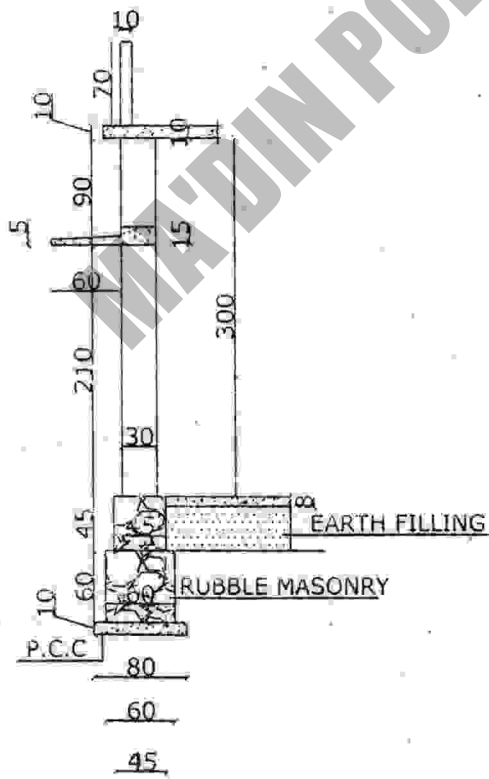
II Answer any *five* of the following questions. Each question carries 6 marks.

1. Distinguish between detailed and abstract estimate with standard form.
2. Discuss cubical content method (cube rate estimate) of estimation.
3. Calculate the quantity of parapet wall 70cm height and 10 cm thickness for the given building Drawing Fig. - 1.
4. Determine the quantity of PCC 1:4:8 of the given building Fig. - 1.
5. Determine the quantity of ceiling plastering of the given building Fig. - 1.
6. Estimate the quantity of random rubble masonry in foundation for given building Fig. - 1.
7. Prepare the rough cost estimate of the hospital building for 100 beds. The cost of construction altogether for each bed Rs. 50,000. Determine the total cost of construction.

(5×6 = 30)



PLAN



SECTION

- D-DOOR-100X210CM
- W-WINDOW-150X140CM
- LINTEL 15 CM THICK THROUGHOUT
- THE ALL WALL
- SUNSHADE-60CM WIDTH
- 7.5 CM THICK AT SUPPORT
- 5CM THICK AT END
- ALL AROUND THE WALL

FIG.(1)